

# TECCON

*A heat pump is a device which uses both the hot and cold cycle of a refrigeration system effectively.*

*In a conventional refrigeration system the hot cycle (heat generated by the condenser) is wasted. A heat pump can harness this heat energy and can deliver either hot air or hot water continuously thereby saving very useful energy, which otherwise would be dissipated as a waste.*

# Heat Pump



## HEAT PUMP

For further details please consult :



## TECCON SERVICES (P) LTD.

Office : Plot No.8, Mugalivakkam Road,

Porur, Chennai - 116, INDIA

Phone : 91-44-2521553, 2522398

Fax : 91-44-2522115

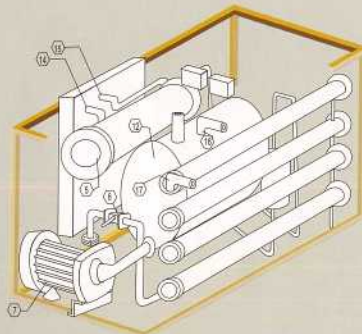
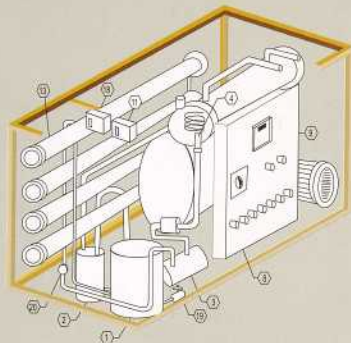
E-mail : tecon@vsnl.net



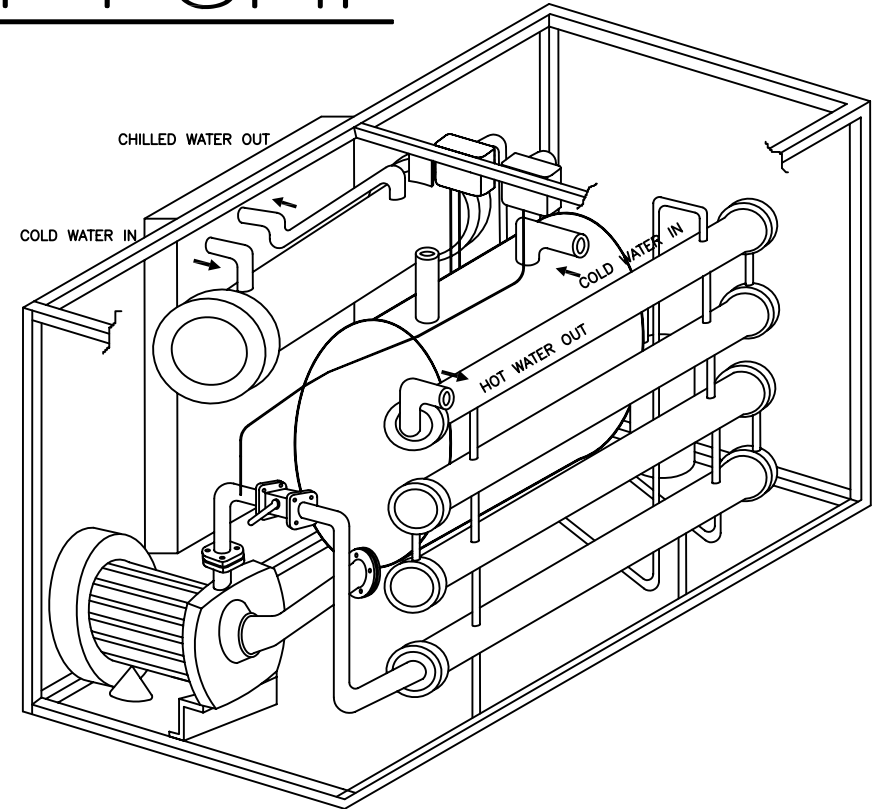
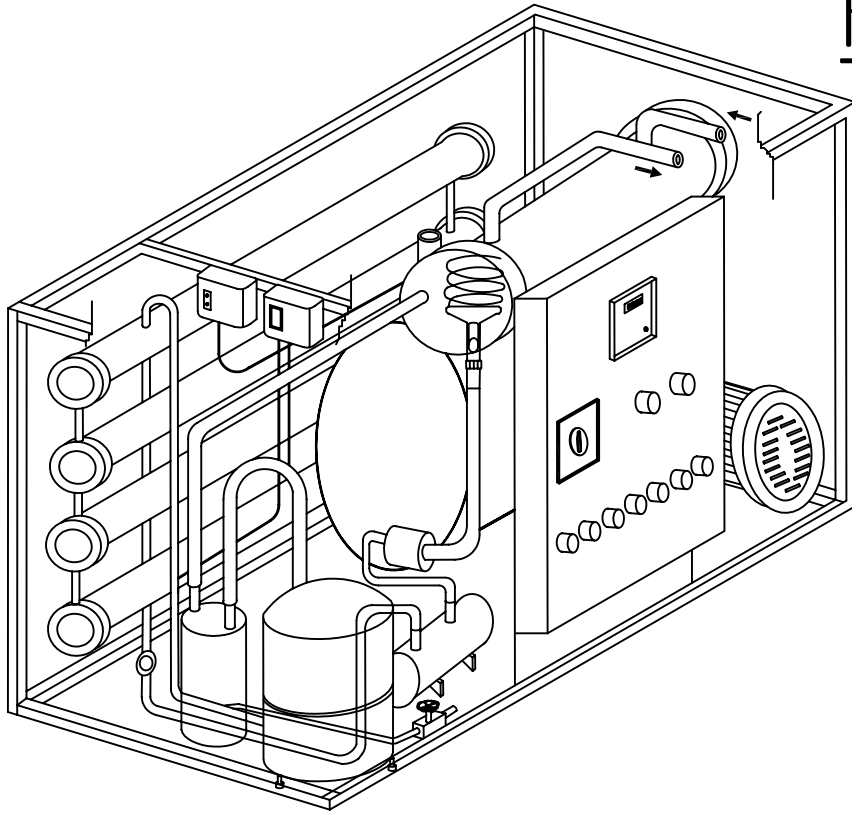
1. COMPRESSOR
2. ACCUMULATOR
3. RECEIVER
4. EXPANSION VALVE
5. EVAPORATOR ( CHILLER )
6. VALVES
7. PUMP MOTOR
8. ELECTRICAL PANEL
9. TEMP.IND.CONTROLLER
10. HEAT EXCHANGER - EXTERNAL ( OPTIONAL )
11. LP / HP CUT OUT
12. WATER TANK
13. CONDENSER / HOT WATER GENERATOR
14. CHILLED WATER INLET
15. CHILLED WATER OUTLET
16. HOT WATER INLET
17. HOT WATER OUTLET
18. WATER PRESSURE SWITCH ( OPTIONAL )
19. REFRIGERANT CHARGE LINE
20. LIQUID FLOW INDICATOR

### SALIENT FEATURES

- 1) INSTANT HOT WATER AT 50 - 60° C
- 2) SIMULTANEOUS GENERATION OF CHILLED WATER AT 7 - 10° C
- 3) TOTALLY NON POLLUTING
- 4) HIGHLY ENERGY EFFICIENT
- 5) EFFECTIVELY REPLACES ELECTRICAL STORAGE TYPE HEATERS
- 6) TAILOR MADE TO SUIT INDIVIDUAL REQUIREMENTS. - IDEAL FOR HOTELS, RESTAURANTS & HOSPITALS, HOMES, SWIMMING POOLS ETC.



# HEAT PUMP



MODEL	HOT WATER GENERATION /DAY LTRS-(55°C)	COOLING CAPACITY IN TR	HEATING CAPACITY - KW	AVERAGE POWER CONSUMPTION KWH
THP 01	3000	1	3	4
THP 015	4000	1.5	5	6
THP 020	6000	2	7	7.5
THP 030	9000	3	10	10
THP 050	15000	5	17	12
THP 075	20000	7.5	25	15
THP 0100	30000	10	35	18
THP 0120	36000	12	40	20
THP 0150	45000	15	50	22

## SALIENT FEATURES

- 1) INSTANT HOT WATER AT 50-60°C
- 2) SIMULTANEOUS GENERATION OF CHILLED WATER AT 10-15°C
- 3) TOTALLY NON POLLUTING-NOISE LEVEL<60 db
- 4) HIGHLY ENERGY EFFICIENT
- 5) EFFECTIVELY REPLACES ELECTRICAL STORAGE TYPE HEATERS
- 6) ECO-FRIENDLY REFRIGERANT USED AS HEAT PUMP FLUID.

- IDEAL FOR HOTELS, RESTAURANTS & SWIMMING POOLS AND HOMES



TECCON SERVICES PVT.LTD,

2/398,MOUNT POONAMALLE.

AYYAPANTHANGAL

CHENNAI- 600 056

INDIA.

PHONE-91-44-24765926 FAX- 24765927

E-MAIL - [teccon@vsnl.net](mailto:teccon@vsnl.net)

*Prices for Teccon's Heat Pumps.*

<i>Model</i>	<i>CAPACITY</i>		<i>Hot Water @55° C Generation/day.</i>		<i>Dimensions in mm Depth x Width x height</i>	<i>Total Power Kw</i>	<i>Price (US\$) FOB Chennai India</i>
	<i>Cooling - TR</i>	<i>Heating K.W.</i>	<i>Litres</i>	<i>m<sup>3</sup></i>			
THP 01	1	3	3000	3	500 X 500 X 1000	4	2,250
THP 01.5	1.5	5	4000	4	600 X 500 X 1000	6	2,750
THP 020	2	7	6000	6	600 x 600 x 1200	7.5	3,250
THP 030	3	10	9000	9	750 x 600 x 1500	10	3,650
TUP 050	5	17	15000	15	700 x 700 x 1500	12	4,300
THP 075	7.5	25	20000	20	900 x 900 x 1600	18	5,500
THP 0100	10	35	30000	30	900 x 1000 x 1600	20	6,500
THP 0120	12	40	36000	36	1000 x 1000 x 1500	24	7,800
THP 0150	15	50	45000	45	1000 x 1000 x 1500	30	8,750
<b>Terms &amp; Conditions:</b>							
1. Price: F O B Chennai.							
2. Payment: 100% Advance, against proforma							
3. Guarantee: 12 months from the date of supply							
4. Delivery: we can supply 3-4 units in 8 weeks.							
5. Validity: 30 days							
We will be happy to provide additional information, if required.							
For Teccon Services P Limited							
S.JAGANNATHAN - DIRECTOR							