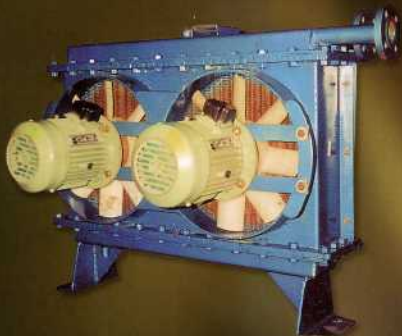


# Teccon

## AIR BLAST COOLERS



*In a majority of Hydraulic applications problems occur due to the oil temp. shooting up in the absence of proper cooling system. TECCON offers Air Blast Oil Coolers for heat dissipation ranging from 1500 Kcal/hr(1.7kw) to 90000 Kcal/hr(105kw). These type of units are being recommended where the raw water availability is scarce as well as for non stationary application. Being supplied to leading machine tool builders as original equipment. Incorporates latest finning techniques with optimum heat transfer.*

● *Solves Your Oil Cooling Problems*

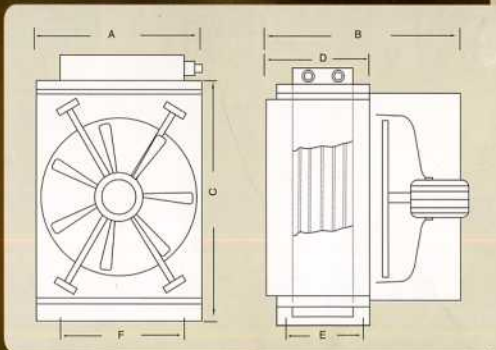
MODEL	CAPACITY Kcal / hr	AIRFLOW CMH	OILFLOW LPM	MOTOR KW	OIL PORT BSP	A	B	C	D	E	F
TAOC 1.5K	1500	1400	10	0.250	15	450	400	450	100	75	350
TAOC 2.5K	2500	2800	20	0.250	15	450	400	450	150	100	350
TAOC 3.5K	3500	3600	25	0.500	20	450	400	450	200	150	350
TAOC 5 K	5000	5000	40	0.500	25	475	450	475	200	150	375
TAOC 7.5 K	7500	7200	55	1.000	25	500	500	500	150	100	400
TAOC 10 K	10000	8500	80	1.000	40	600	600	600	150	100	500
TAOC 15 K	15000	14500	120	2.000	40	600	600	600	200	150	500
TAOC 20 K	20000	17000	160	2.000	50	700	700	700	200	150	600
TAOC 25 K	25000	22000	180	3.000	50	750	750	750	200	150	650
TAOC 30 K	30000	25000	220	3.000	65	900	900	900	150	100	800
TAOC 40 K	40000	35000	300	5.000	80	900	900	900	200	150	800

For further details please consult :



## TECCON SERVICES (P) LTD.

Office : Plot No.8, Mugalivakkam Road,  
Porur, Chennai - 116. INDIA  
Phone : 91-44-2521553, 2522398  
Fax : 91-44-2522115  
E-mail : teccon@vsnl.net



### NOTE

1. HYDRAULIC OIL CONSIDERED ENCL 68/EQV
2. AMBIENT AIR TEMP TAKEN AS 40 C MAX.
3. OIL STABILIZATION TEMP 55 C MAC / 45 C OPT.
4. SADDLE SUPPORT HOLES- 4NOS 18 DIA
5. OIL COOLERS WILL HAVE COPPER TUBE WITH ALUMINIUM PLATE FINS.
6. FANMOTORS SUITABLE FOR 3Ph/415v.
7. OIL FLOW SPECIFIED IS THE MIN FLOW REQD.
8. OVER ALL DIMENSIONS ARE APPROXIMATE AND ARE SUBJECT TO REVISIONS.

● *Solves Your Oil Cooling Problems*